

ST

Storage tank

Storage Capacity
300 Litre to 2800 Litre



ST

ST tank can function as a buffer vessel for additional hot water to enlarge the system capacity.

FEATURES

SIZES	300 Litres to 3000 Litres.
MAXIMUM WORKING PRESSURE	300 to 1000 Litres at 10 bar working pressure. 1500 to 3000 Litres at 8 Bar working pressure.
GLASS LINING	All internal surfaces exposed to water are glass-lined. Perma Glass Ultra Coat second-generation glass coating technology prevents corrosion.
ANODE	Replaceable magnesium anode.
WARRANTY	All ST tanks receive a three years warranty on the tank and one year on parts.
OTHER STANDARD FEATURES	<ul style="list-style-type: none">• Insulated access cover for comprehensive waterside maintenance• ST 300: Three adjustable legs facilitate easy installation• ST 400-1000: Insulated ring base
OPTIONS	<ul style="list-style-type: none">• Flexible magnesium anode for installation in confined areas• Powered anode for reduced maintenance requirements• Temperature and pressure valve with stainless steel spring set to 95°C and a maximum water pressure of 7 bar• Analogue temperature gauge (0-120°C)• Electric element heat packs (3 -36 kW)• Unvented kits• Destratification pump kit• Flowstore heat pack

ABOUT A. O. SMITH

A. O. SMITH: WORLDWIDE

A. O. Smith is the largest manufacturer in North America, and one of the world's leading manufacturers of residential and commercial water heating equipment, offering a comprehensive product line and featuring the best-known brands in North America and China. Through an inspired blend of innovation, teamwork, technology and industry expertise, A. O. Smith has created a full line of state-of-the-art water heaters and boilers that combine incredible performance with higher-than-ever energy efficiency. A. O. Smith is a global leader applying innovative technology and energy-efficient solutions to products marketed worldwide. A. O. Smith is also one of the largest manufacturers of electric motors for residential and commercial applications in North America.

A. O. Smith developed and patented a process to glass-line water heaters. And over the years, A. O. Smith has gained the respect and support of homeowners, contractors, architects, and specifying engineers in over 60 countries by providing innovative energy efficient products designed for years of trouble-free service.

A. O. SMITH: INDIA

A. O. Smith India Water Heater Private Limited was established in 2005. Backed by 70 years of proven technological advances A. O. Smith India has created a stylish design with features demanded by the Indian consumer and successfully marketed a range of domestic water heaters that in a short period of time have become the most trusted brand in its category.

Technical specifications

		ST 300	ST 400	ST 500	ST 600	ST 750	ST 1000	ST 1500	ST 2000	ST 2500	ST 3000
Technical data											
Storage capacity	L	308	405	499	678	763	1055	1550	1880	2500	2820
Anodes	-	1	1	1	1	1	1	3	3	3	3
Maximum working pressure	bar	10	10	10	10	10	10	8	8	8	8
Maximum operating temperature	°C	95	95	95	95	95	95	95	95	95	95
Standby loss	kWh/24hr	1.32	1.6	1.88	1.85	2.03	2.19	9.20	10.9	12.3	14.0
Shipping data											
Weight empty	kg	93	99	131	179	201	262	325	350	485	520
Maximum weight	kg	401	504	630	857	964	1317	1875	2230	2985	3340
Weight incl. packaging	kg	104	110	142	190	212	274	415	450	595	640
Width packaging	mm	780	780	780	870	870	1010	1170	1170	1498	1498
Height packaging	mm	1510	1850	2150	1930	2150	2100	2060	2248	2120	2195
Depth packaging	mm	780	780	780	870	870	1010	1426	1426	1680	1680

Dimensions

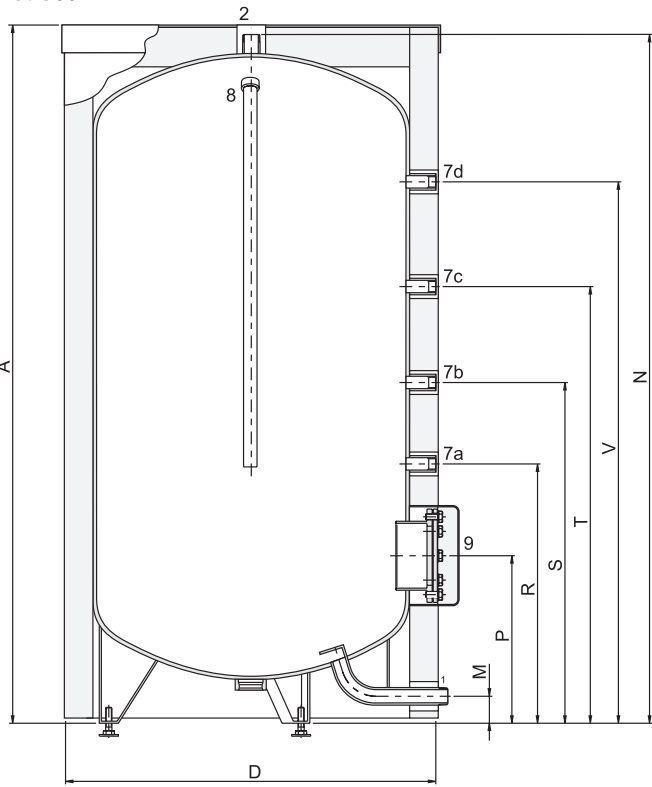
		ST 300	ST 400	ST 500	ST 600	ST 750	ST 1000	ST 1500	ST 2000	ST 2500	ST 3000	
A	Total height	mm	1370	1705	2040	1835	2030	2000	1930	2118	2000	2128
D	Diameter	mm	720	720	720	910	910	1060	1200	1200	1500	1500
M	Height cold water inlet	mm	75	70	70	85	85	95	135	135	183	183
N	Height hot water outlet	mm	1310	1650	1990	1797	1992	1962	1930	2118	2000	2128
O	Opening / clean out flange	mm	115	115	115	180	180	180	110	110	110	110
Ox	Cleanout flange position (left)	°	-	60	60	60	60	60	45	45	45	45
P	Height cleanout flange	mm	330	410	410	493	493	530	450	450	530	530
R	Height connection	mm	500	270	270	315	315	360	385	385	465	465
S	Height connection	mm	655	348	348	400	400	445	485	485	565	565
T	Height connection	mm	840	425	425	485	485	530	585	585	665	665
U	Height connection	mm	-	510	510	650	650	700	710	747	790	790
V	Height connection	mm	1045	826	995	1040	1080	1100	950	1044	980	1044
W	Height connection	mm	-	1094	1348	1255	1374	1351	1190	1341	1220	1270
X	Height connection	mm	-	1362	1700	1466	1662	1592	1515	1703	1495	1623
1	Cold water	-	R1	R2	R2	R2½	R2½	R2½	R2	R2	R2	R2
2	Hot water	-	R1	R2	R2	R2½	R2½	R2½	R2	R2	R2	R2
7	Connection	-	Rp¾	Rp¾	Rp¾	Rp¾	Rp¾	Rp¾	Rp¼	Rp¼	Rp¼	Rp¼
7a	Connection	-	-	-	-	-	-	-	Rp¾	Rp¾	Rp¾	Rp¾
8	Anode connection	-	Rp1	Rp1¼	Rp1¼	Rp1¼	Rp1¼	Rp1¼	Rp¾	Rp¾	Rp¾	Rp¾
11	Connection	-	-	Rp2	Rp2	Rp2	Rp2	Rp2	Rp2	Rp2	Rp2	Rp2
12	Connection	-	-	Rp2	Rp2	Rp2	Rp2	Rp2	Rp2	Rp2	Rp2	Rp2
13	Connection temperature sensor	-	-	Rp¼	Rp¼	Rp¼	Rp¼	Rp¼	Rp¼	Rp¼	Rp¼	Rp¼
14	Connection	-	-	Rp2	Rp2	Rp2	Rp2	Rp2	Rp2	Rp2	Rp2	Rp2

Dimensions in mm.

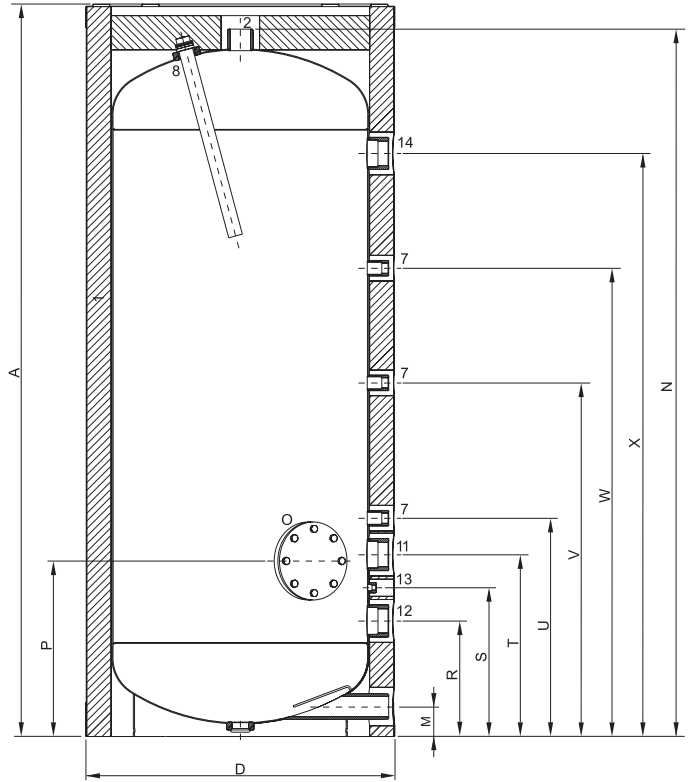
ST

Dimensions

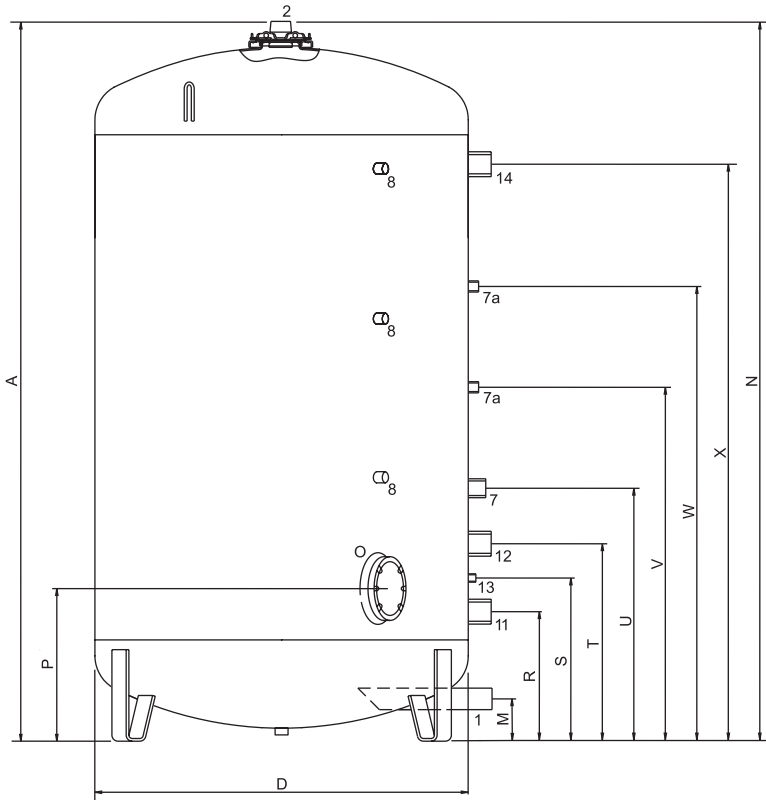
ST 300



ST 400-1000

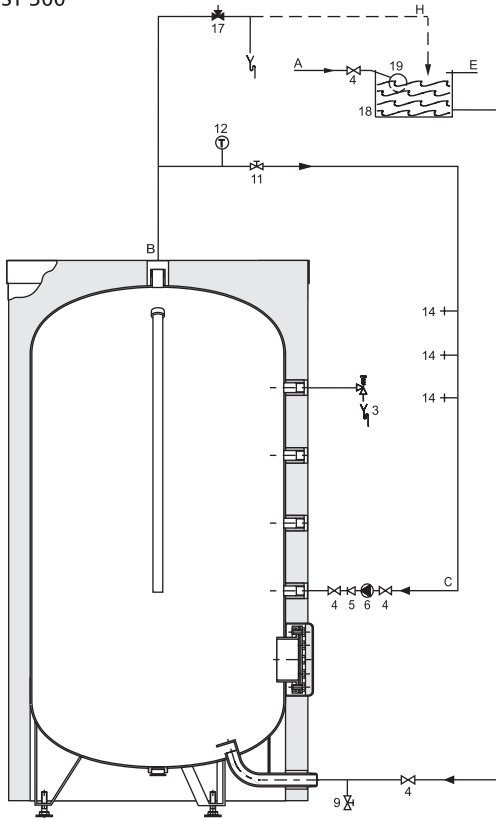


ST 1500-3000



Installation diagrams

ST 300



- 3 T&P valve
- 4 Stop valve
- 5 Non-return valve
- 6 Circulation pump
- 9 Drain valve
- 11 Isolating valve
- 12 Temperature gauge
- 14 Hot water tap
- 17 Three way valve
- 18 Water tank
- 19 Float valve

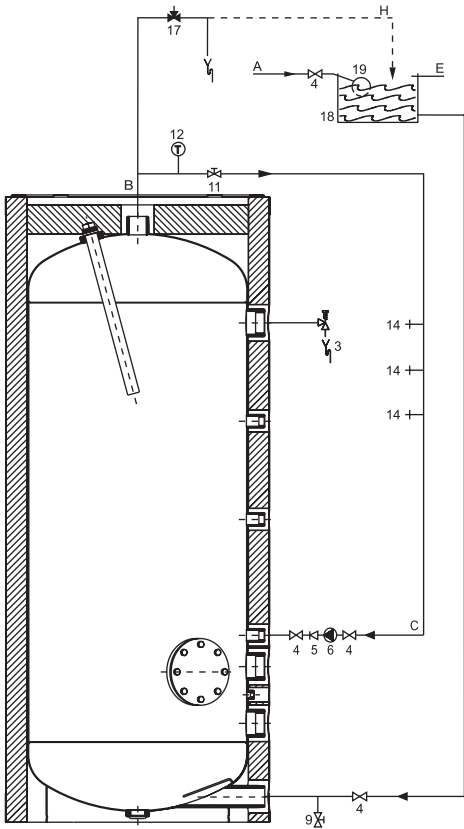
- A Cold water
- B Hot water
- C Return circulation
- E Over flow pipe
- H Expansion vent pipe

The ST 300-1000 is also available in unvented version.

A.O. Smith unvented system kits utilise combination valves.

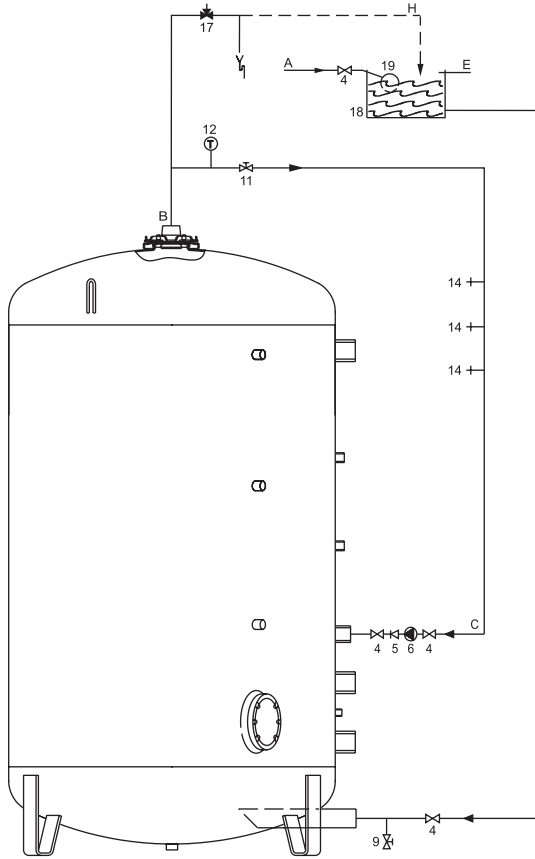
Further installation and connection details can be found in the Installation & Commissioning Manual.

ST 400-1000



Installation diagrams

ST 1500-3000



- 1 Pressure reducing valve
- 3 T&P valve
- 4 Stop valve
- 5 Non-return valve
- 6 Circulation pump
- 9 Drain valve
- 11 Isolating valve
- 12 Temperature gauge
- 14 Hot water tap
- 17 Three way valve
- 18 Water tank
- 19 Float valve

- A Cold water
 B Hot water
 C Return circulation
 E Over flow pipe
 H Expansion vent pipe

The ST 1500-3000 is also available in unvented version.

A.O. Smith unvented system kits utilise combination valves.

Further installation and connection details can be found in the Installation & Commissioning Manual.

A. O. Smith India Water Heating Private Limited

No. 3, 6th Main Road, 4th Block, Jayanagar, Bengaluru - 560 011.
 T: +91.80.4255.6000 ■ F: +91.80.4255.6025 ■ Toll Free: 1.800.103.2468
 ■ www.aosmithindia.com

AO SmithTM
 Innovation has a name.